



ADesignStudio.



CHOIR - ROMA PORTABLE LIGHT 2004.B0001

Designed with Alex Fitzpatrick

FITTING TYPE

Portable

CONSTRUCTION

Blown Glass, aluminium, nylon, silicon

FINISH

See page 2 for finish options

SPECIFICATION

Source: x24 LED

Power: 3.5W

Output: Ambient

Colour Temp.: 1800K to 3500K [2500K Default]

Colour Rendering Index: CRI90+

CONTROL

Switch - High 90% [Default] / Medium 75% / Low 45% / L-Low 25%

Casambi Bluetooth - CBM003.C

BATTERY

Lithium Ion.

INGRESS PROTECTION

IP65

WEIGHT

1.2 KG

CHARGING

USB-C PD 3.0 Charging Cable (12V FAST CHARGE) Target charging time: 0-100% 2.4 hours (80% 2 hours) NOT SUPPLIED

-6 Gang Charging Tray with a Wall Plug
Target charging time: 0-100% 3.5 hours (80% 2 hours) SUPPLIED SEPARATELY

HAND BLOWN GLASS

Each piece is individually hand-blown and formed; natural variations are expected and reflect the character of the glass.

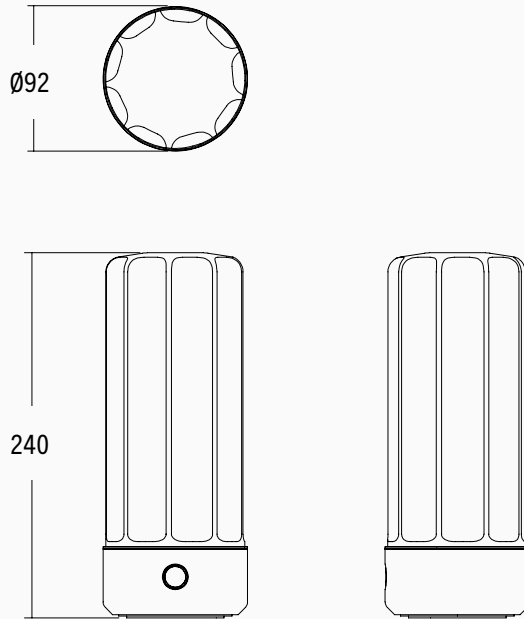


ADesignStudio.

CHOIR - ROMA PORTABLE LIGHT

2004.B0001

Designed with Alex Fitzpatrick



DIMENSIONS

Ø 240mm X 92mm H

NOTES:

- additional charges for modifications or for special orders
- please refer to maintenance sheet on website for cleaning instructions

ORDER GUIDE

SKU	COLLECTION	KELVIN	METAL FINISH	GLASS FINISH
2004.B0004	Choir Roma Table Light	1800-3500	Bronze PVD	Textured Glass Clear