

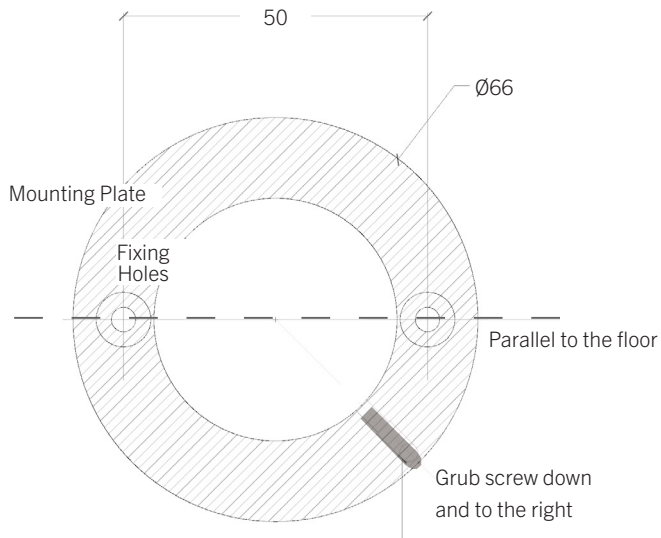


FLATWHITE W1

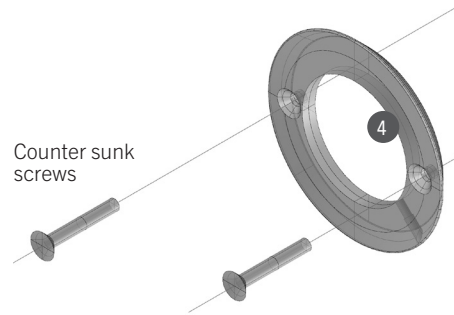
INSTALLATION NOTES

ADesignStudio.

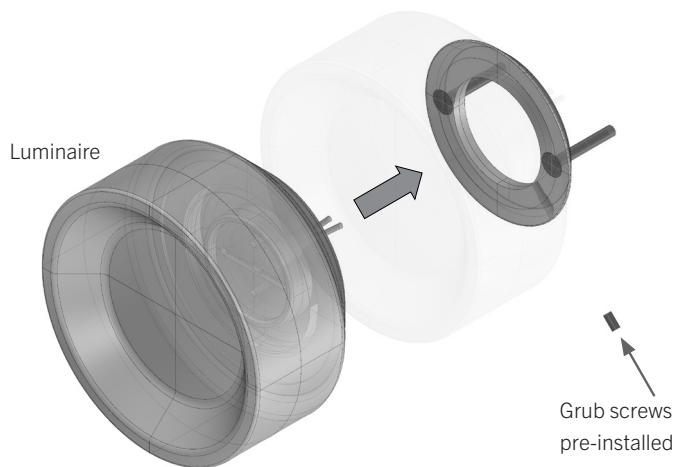
Sydney, Australia
studio@adesignstudio.com.au



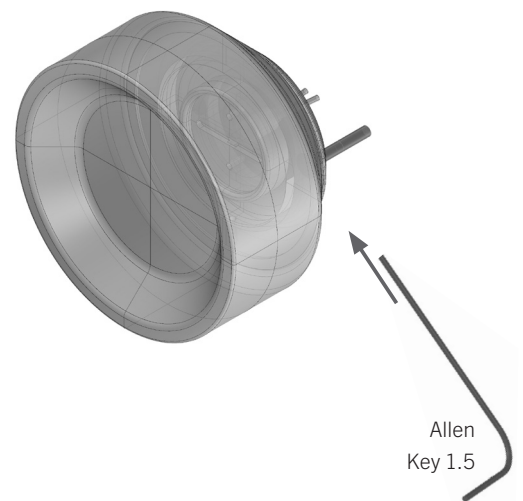
2 Mounting Orientation



3 Fix Mounting Plate



6 Screw luminaire to mounting plate



7 Lock luminaire place

ATTENTION!

The safety of this fitting can only be guaranteed if these instructions are observed, during both installation and use. Please retain these instructions.

REMARKS

- When installing the system, make sure all current national regulations relating to installation are observed.
- When installing and / or working on the fitting, ensure that the power supply has been switched off.
- The fitting may in no way be modified or tampered with. Any modification may compromise safety, causing the appliance to become dangerous. ADesignStudio declines all responsibility for products that are modified.
- This appliance must be connected to an efficient grounding system in order to work safely and correctly.
- Contact a qualified electrician for installation.

CLEANING INSTRUCTIONS

Warning: Do not use alcohol or other solvents. Use only a soft cloth to clean the appliance.

ASSEMBLY INSTRUCTIONS

Caution: to avoid possible electrical shock, make certain electricity is shut off at main panel before wiring.

1. LED Driver to be mounted remotely in a dry, ventilated and accessible location.
2. Review and follow mounting orientation as seen above.
3. Screw Mounting Plate wall or ceiling.
4. Cut hole for cable reticulation through the center the Mounting plate
5. Make low voltage connection from remote driver to LED. Ensure correct polarities.
6. Screw fasten the body of the fitting to the Mounting Plate.
7. Once luminaire is screw fixed in place tighten grub screw to lock.

NOTE

- Grub screws pre-installed.
- Do not over tighten fitting or grubscrews.
- Do not unscrew glass from housing unless directed by manufacturer.