



ADesignStudio.



ALCHEMY PENDANT S1

1001.A0001

FITTING TYPE

Pendant

CONSTRUCTION

Blown crackle glass, aluminium body (engine).
Black braided cord.

FINISH

See page 2 for finish options

SPECIFICATION

Source: x3 LED (Vf 9V)
Power: 6.3W @ 700mA Constant Current
Output: Ambient
Colour Temperature: 2700K / 3000K
Colour Rendering Index: CRI90+ 2-step Binning
Ingress Protection: IP20

CONTROL

Remote Driver - Refer To Our Driver
Specification Guide For Non-Dim / Dali / Push
Dim / 0-10v Dim / Triac Phase Dim

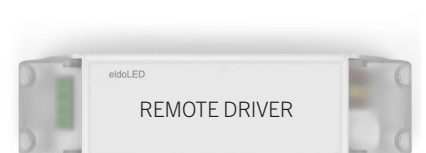
CORD LENGTH

1800mm

WEIGHT

6 KG

Note: Fittings Over 2kg May Need Additional
Mounting Support. Please Consult Your
Contractor And / Or Builder.





ADesignStudio.

ALCHEMY PENDANT S1

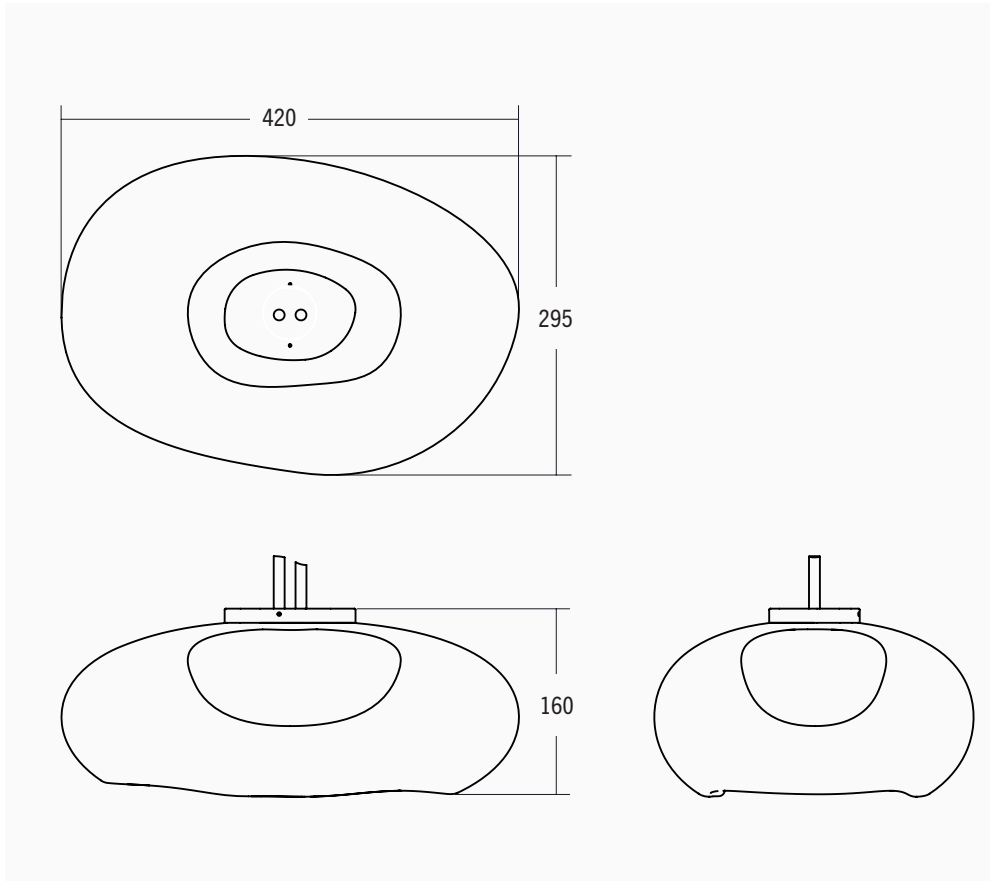
1001.A0001

DIMENSIONS

420mm X 295mm X 160mm H

NOTES:

- additional charges for modifications or for special orders
- please refer to maintenance sheet on website for cleaning instructions
- these glass pieces are hand blown and formed, variations are a natural occurrence in their creation. These differences are to be expected as individual characteristics of the material and inject personality into the item.



ORDER GUIDE

SKU	COLLECTION	KELVIN	METAL FINISH	GLASS FINISH
1001.A0002	Alchemy Pendant S1	2700K	Brass PVD	Crackle Glass Clear
1001.A0003	Alchemy Pendant S1	2700K	Brass PVD	Crackle Glass Sepia
1001.A0004	Alchemy Pendant S1	2700K	Brass PVD	Crackle Glass Salmon
1001.A0005	Alchemy Pendant S1	3000K	Brass PVD	Crackle Glass Clear
1001.A0006	Alchemy Pendant S1	3000K	Brass PVD	Crackle Glass Sepia
1001.A0007	Alchemy Pendant S1	3000K	Brass PVD	Crackle Glass Salmon