



# ADesignStudio.



## FLAT WHITE W1 WALL LIGHT

0602.A0001

Designed with Alex Fitzpatrick

### FITTING TYPE

Wall + Ceiling

### CONSTRUCTION

Blown opal glass, aluminium or brass body  
(engine)

### FINISH

See page 2 for finish options

### SPECIFICATION

Source: x1 LED ( Vf 6V )

Power: 3W @ 500mA Constant Current

Output: Indirect

Colour Temperature: 2700K / 3000K

Colour Rendering Index: CRI90+ 2-step Binning

Ingress Protection: IP55

### CONTROL

Remote Driver - Refer To Our Driver

Specification Guide For Non-Dim / Dali / Push  
Dim / 0-10v Dim / Triac Phase Dim

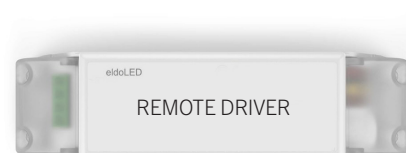
### CORD LENGTH

500mm

### WEIGHT

1.5 KG

**Note:** Fittings Over 2kg May Need Additional  
Mounting Support. Please Consult Your  
Contractor And / Or Builder.





# ADesignStudio.

## FLAT WHITE W1 WALL LIGHT

0602.A0001

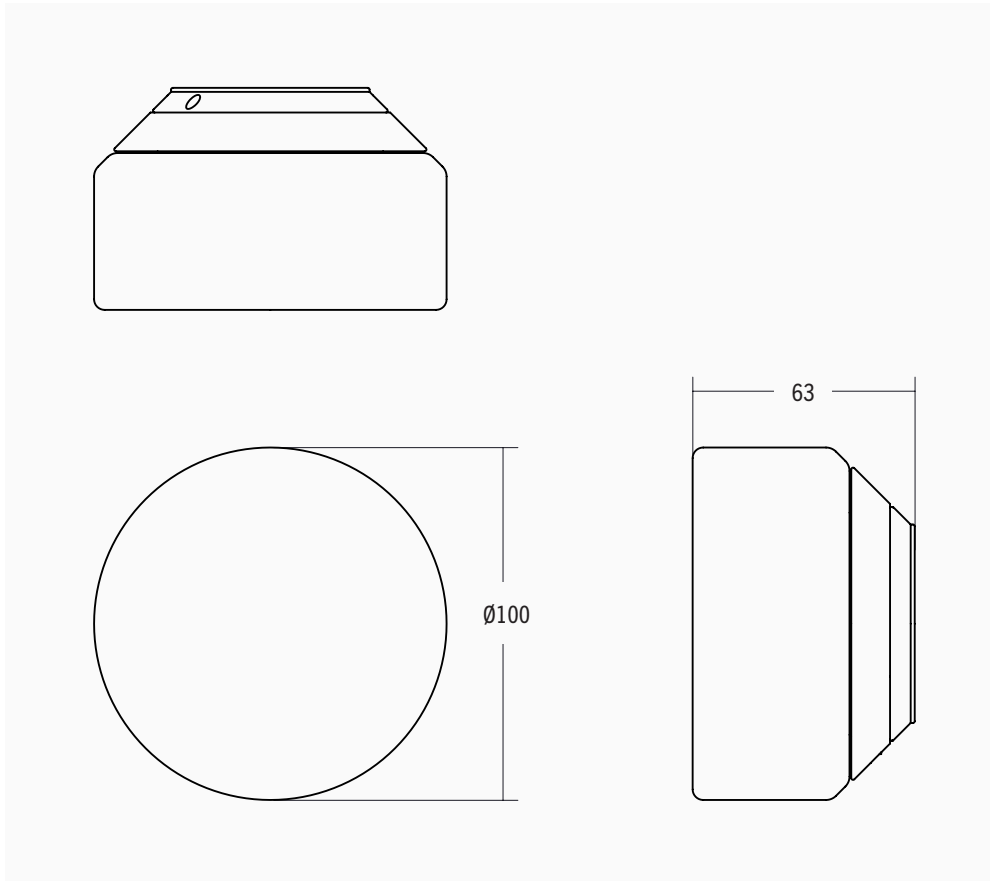
Designed with Alex Fitzpatrick

### DIMENSIONS

Ø 100mm X 63mm H

### NOTES:

- additional charges for modifications or for special orders
- please refer to maintenance sheet on website for cleaning instructions



### ORDER GUIDE

SKU	COLLECTION	KELVIN	METAL FINISH	GLASS FINISH
0602.A0002	FlatWhite W1 Wall Light	2700K	Matte White Powdercoat	Opal
0602.A0003	FlatWhite W1 Wall Light	2700K	Matte Black Anodised	Opal
0602.A0004	FlatWhite W1 Wall Light	2700K	Brass Brushed Clear-coat	Opal
0602.A0005	FlatWhite W1 Wall Light	2700K	Chrome	Opal
0602.A0006	FlatWhite W1 Wall Light	2700K	Blackened Brass Waxed	Opal
0602.A0007	FlatWhite W1 Wall Light	2700K	Brass PVD	Opal
0602.A0008	FlatWhite W1 Wall Light	2700K	Bronze PVD	Opal
0602.A0009	FlatWhite W1 Wall Light	2700K	Brushed Platinum PVD	Opal
0602.A0010	FlatWhite W1 Wall Light	3000K	Matte White Powdercoat	Opal
0602.A0011	FlatWhite W1 Wall Light	3000K	Matte Black Anodised	Opal
0602.A0012	FlatWhite W1 Wall Light	3000K	Brass Brushed Clear-coat	Opal
0602.A0013	FlatWhite W1 Wall Light	3000K	Chrome	Opal
0602.A0014	FlatWhite W1 Wall Light	3000K	Blackened Brass Waxed	Opal
0602.A0015	FlatWhite W1 Wall Light	3000K	Brass PVD	Opal
0602.A0016	FlatWhite W1 Wall Light	3000K	Bronze PVD	Opal
0602.A0017	FlatWhite W1 Wall Light	3000K	Brushed Platinum PVD	Opal