

ADesignStudio.

GREENWAY - S1 PENDANT

ADS - 04.1.05.00

Designed by Alex Fitzpatrick

The Greenway light fittings are energy efficient, customisable and interchangeable and, just like Sydney's lighthouses, in a vast array of shapes and sizes in brass and handblown glass depending on the environment they are illuminating.

Finish

- .30 Brass
- .31 Bronze
- .41 Pewter

Technical Description

The concealed LED chip sits deep within the brass engine providing both accent and ambient lighting

Materials

Brass, / Aluminium, Hand Blown Glass, 3D Printed Nylon, LED Chip

Wattage

8W

Colour Temperature

Warm White 2700K

Remote Driver:

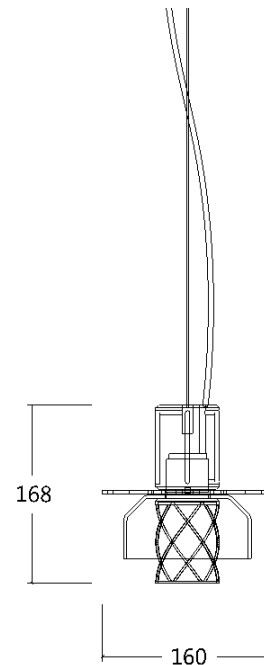
Phase Dim Standard
1-10V Dim
DALI Dim
DMX

LED module:

Cree



Dimensions:



Winner of Best ID Product at Den Fair, Australia 2016

ADesignStudio.

GREENWAY - S1 PENDANT

ADS - 04.1.06.00

Designed by Alex Fitzpatrick

The Greenway light fittings are energy efficient, customisable and interchangeable and, just like Sydney's lighthouses, in a vast array of shapes and sizes in brass and handblown glass depending on the environment they are illuminating.

Finish

- .30 Brass
- .31 Bronze
- .41 Pewter

Technical Description

The concealed LED chip sits deep within the brass engine providing both accent and ambient lighting

Materials

Brass, / Aluminium, Hand Blown Glass, 3D Printed Nylon, LED Chip

Wattage

8W

Colour Temperature

Warm White 3000K

Remote Driver:

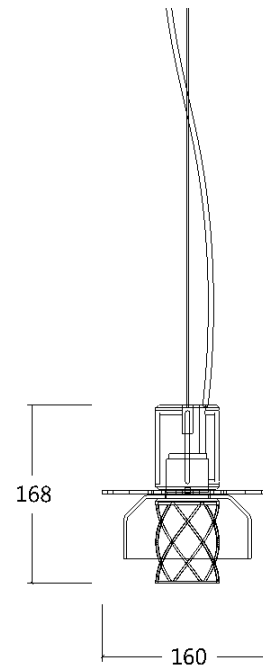
- Phase Dim Standard
- 1-10V Dim
- DALI Dim
- DMX

LED module:

Cree



Dimensions:



Winner of Best ID Product at Den Fair, Australia 2016

ADesignStudio.

GREENWAY - S2 PENDANT

ADS - 03.1.07.00

Designed by Alex Fitzpatrick

The Greenway light fittings are energy efficient, customisable and interchangeable and, just like Sydney's lighthouses, in a vast array of shapes and sizes in brass and handblown glass depending on the environment they are illuminating.

Finish

- .30 Brass
- .31 Bronze
- .41 Pewter

Technical Description

The concealed LED chip sits deep within the brass engine providing both accent and ambient lighting

Materials

Brass, / Aluminium, Hand Blown Glass, 3D Printed Nylon, LED Chip

Wattage

8W

Colour Temperature

Warm White 2700K

Remote Driver:

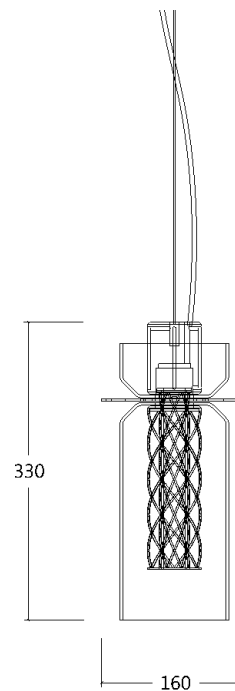
- Phase Dim Standard
- 1-10V Dim
- DALI Dim
- DMX

LED module:

Cree



Dimensions:



Winner of Best ID Product at Den Fair, Australia 2016

ADesignStudio.

GREENWAY - S2 PENDANT

ADS - 03.1.08.00

Designed by Alex Fitzpatrick

The Greenway light fittings are energy efficient, customisable and interchangeable and, just like Sydney's lighthouses, in a vast array of shapes and sizes in brass and handblown glass depending on the environment they are illuminating.

Finish

- .30 Brass
- .31 Bronze
- .41 Pewter

Technical Description

The concealed LED chip sits deep within the brass engine providing both accent and ambient lighting

Materials

Brass, / Aluminium, Hand Blown Glass, 3D Printed Nylon, LED Chip

Wattage

8W

Colour Temperature

Warm White 3000K

Remote Driver:

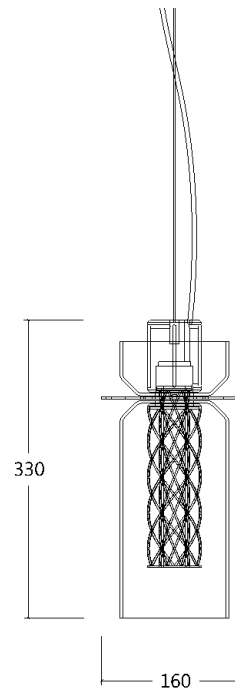
- Phase Dim Standard
- 1-10V Dim
- DALI Dim
- DMX

LED module:

Cree



Dimensions:



Winner of Best ID Product at Den Fair, Australia 2016

ADesignStudio.

GREENWAY - S3.1 PENDANT

ADS - 03.1.11.00

Designed by Alex Fitzpatrick

The Greenway light fittings are energy efficient, customisable and interchangeable and, just like Sydney's lighthouses, in a vast array of shapes and sizes in brass and handblown glass depending on the environment they are illuminating.

Finish

- .30 Brass
- .31 Bronze
- .41 Pewter

Technical Description

The concealed LED chip sits deep with in the brass engine providing both accent and ambient lighting

Materials

Brass, / Aluminium, Hand Blown Glass,
3D Printed Nylon, LED Chip

Wattage

8W

Colour Temperature

Warm White 2700K

Remote Driver:

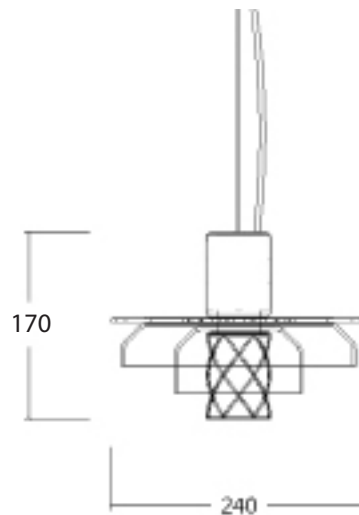
- Phase Dim Standard
- 1-10V Dim
- DALI Dim
- DMX

LED module:

Cree



Dimensions:



Winner of Best ID Product at Den Fair, Australia 2016

ADesignStudio.

GREENWAY - S3.1 PENDANT

ADS - 03.1.12.00

Designed by Alex Fitzpatrick

The Greenway light fittings are energy efficient, customisable and interchangeable and, just like Sydney's lighthouses, in a vast array of shapes and sizes in brass and handblown glass depending on the environment they are illuminating.

Finish

- .30 Brass
- .31 Bronze
- .41 Pewter

Technical Description

The concealed LED chip sits deep with in the brass engine providing both accent and ambient lighting

Materials

Brass, / Aluminium, Hand Blown Glass,
3D Printed Nylon, LED Chip

Wattage

8W

Colour Temperature

Warm White 3000K

Remote Driver:

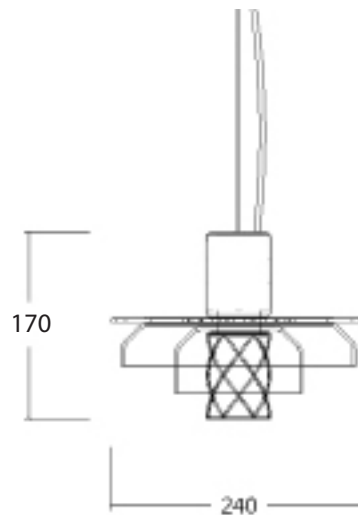
- Phase Dim Standard
- 1-10V Dim
- DALI Dim
- DMX

LED module:

Cree



Dimensions:



Winner of Best ID Product at Den Fair, Australia 2016

ADesignStudio.

GREENWAY - S3.2 PENDANT

ADS - 03.1.13.00

Designed by Alex Fitzpatrick

The Greenway light fittings are energy efficient, customisable and interchangeable and, just like Sydney's lighthouses, in a vast array of shapes and sizes in brass and handblown glass depending on the environment they are illuminating.

Finish

- .30 Brass
- .31 Bronze
- .41 Pewter

Technical Description

The concealed LED chip sits deep within the brass engine providing both accent and ambient lighting

Materials

Brass, / Aluminium, Hand Blown Glass, 3D Printed Nylon, LED Chip

Wattage

8W

Colour Temperature

Warm White 2700K

Remote Driver:

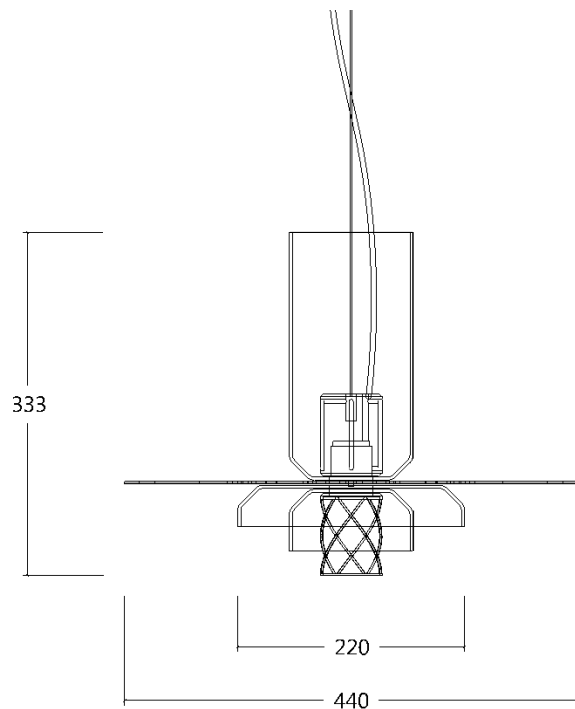
- Phase Dim Standard
- 1-10V Dim
- DALI Dim
- DMX

LED module:

Cree



Dimensions:



Winner of Best ID Product at Den Fair, Australia 2016

ADesignStudio.

GREENWAY - S3.2 PENDANT

ADS - 03.1.14.00

Designed by Alex Fitzpatrick

The Greenway light fittings are energy efficient, customisable and interchangeable and, just like Sydney's lighthouses, in a vast array of shapes and sizes in brass and handblown glass depending on the environment they are illuminating.

Finish

- .30 Brass
- .31 Bronze
- .41 Pewter

Technical Description

The concealed LED chip sits deep within the brass engine providing both accent and ambient lighting

Materials

Brass, / Aluminium, Hand Blown Glass, 3D Printed Nylon, LED Chip

Wattage

8W

Colour Temperature

Warm White 3000K

Remote Driver:

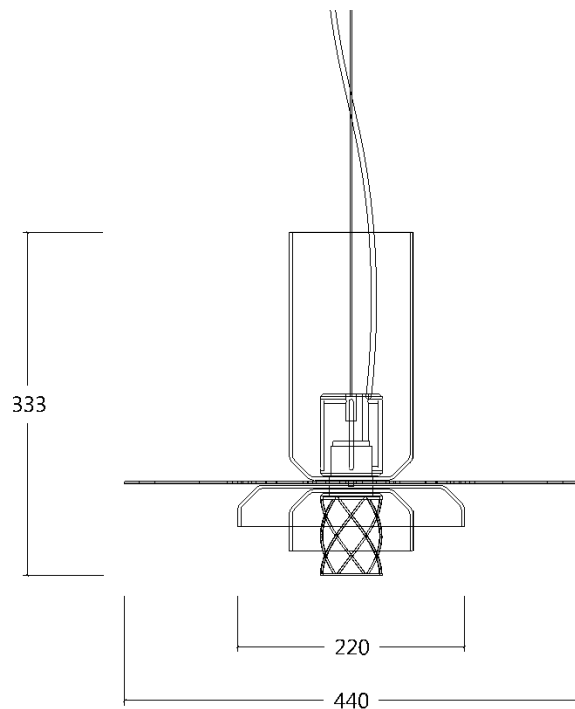
Phase Dim Standard
1-10V Dim
DALI Dim
DMX

LED module:

Cree



Dimensions:



Winner of Best ID Product at Den Fair, Australia 2016

ADesignStudio.

GREENWAY - S4 PENDANT

ADS - 03.1.17.00

Designed by Alex Fitzpatrick

The Greenway light fittings are energy efficient, customisable and interchangeable and, just like Sydney's lighthouses, in a vast array of shapes and sizes in brass and handblown glass depending on the environment they are illuminating.

Finish

- .30 Brass
- .31 Bronze
- .41 Pewter

Technical Description

The concealed LED chip sits deep within the brass engine providing both accent and ambient lighting

Materials

Brass, / Aluminium, Hand Blown Glass,
3D Printed Nylon, LED Chip

Wattage

8W

Colour Temperature

Warm White 2700K

Remote Driver:

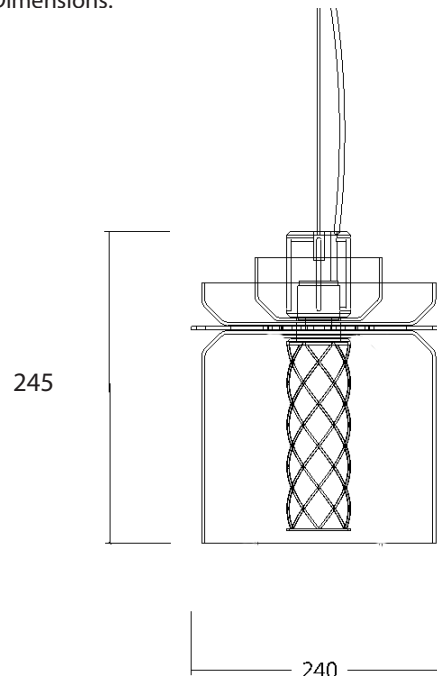
Phase Dim Standard
1-10V Dim
DALI Dim
DMX

LED module:

Cree



Dimensions:



Winner of Best ID Product at Den Fair, Australia 2016

ADesignStudio.

GREENWAY - S4 PENDANT

ADS - 03.1.18.00

Designed by Alex Fitzpatrick

The Greenway light fittings are energy efficient, customisable and interchangeable and, just like Sydney's lighthouses, in a vast array of shapes and sizes in brass and handblown glass depending on the environment they are illuminating.

Finish

- .30 Brass
- .31 Bronze
- .41 Pewter

Technical Description

The concealed LED chip sits deep within the brass engine providing both accent and ambient lighting

Materials

Brass, / Aluminium, Hand Blown Glass, 3D Printed Nylon, LED Chip

Wattage

8W

Colour Temperature

Warm White 3000K

Remote Driver:

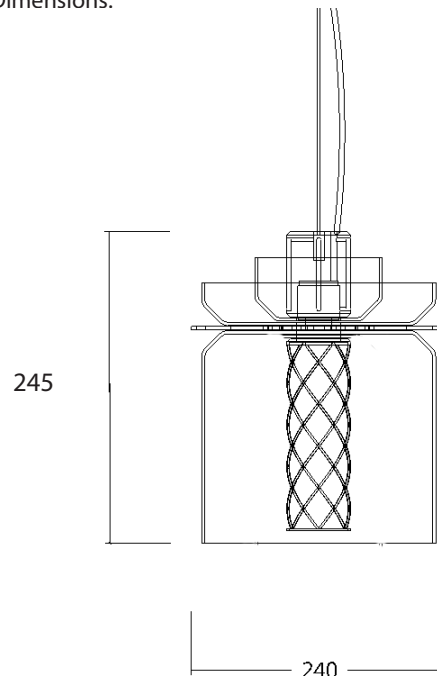
- Phase Dim Standard
- 1-10V Dim
- DALI Dim
- DMX

LED module:

Cree



Dimensions:



Winner of Best ID Product at Den Fair, Australia 2016

ADesignStudio.

GREENWAY - S5 PENDANT

ADS - 03.1.19.00

Designed by Alex Fitzpatrick

The Greenway light fittings are energy efficient, customisable and interchangeable and, just like Sydney's lighthouses, in a vast array of shapes and sizes in brass and handblown glass depending on the environment they are illuminating.

Finish

- .30 Brass
- .31 Bronze
- .41 Pewter

Technical Description

The concealed LED chip sits deep within the brass engine providing both accent and ambient lighting

Materials

Brass, / Aluminium, Hand Blown Glass, 3D Printed Nylon, LED Chip

Wattage

8W

Colour Temperature

Warm White 2700K

Remote Driver:

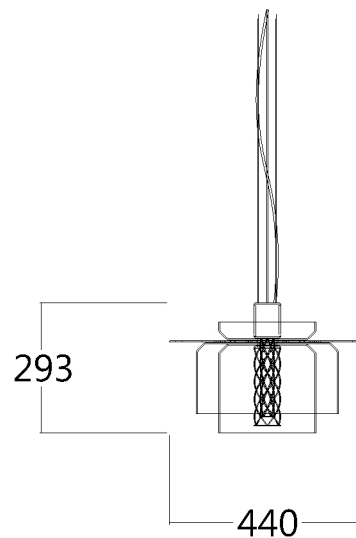
Phase Dim Standard
1-10V Dim
DALI Dim
DMX

LED module:

Cree



Dimensions:



Winner of Best ID Product at Den Fair, Australia 2016

ADesignStudio.

GREENWAY - S5 PENDANT

ADS - 03.1.20.00

Designed by Alex Fitzpatrick

The Greenway light fittings are energy efficient, customisable and interchangeable and, just like Sydney's lighthouses, in a vast array of shapes and sizes in brass and handblown glass depending on the environment they are illuminating.

Finish

- .30 Brass
- .31 Bronze
- .41 Pewter

Technical Description

The concealed LED chip sits deep within the brass engine providing both accent and ambient lighting

Materials

Brass, / Aluminium, Hand Blown Glass, 3D Printed Nylon, LED Chip

Wattage

8W

Colour Temperature

Warm White 3000K

Remote Driver:

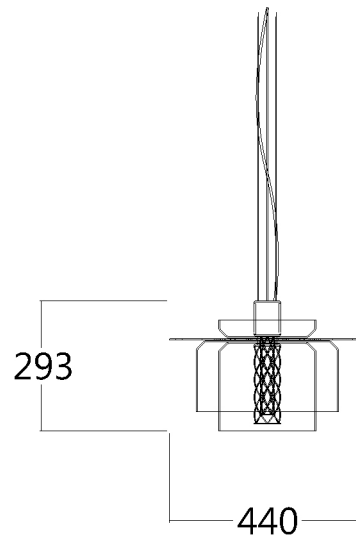
Phase Dim Standard
1-10V Dim
DALI Dim
DMX

LED module:

Cree



Dimensions:



Winner of Best ID Product at Den Fair, Australia 2016